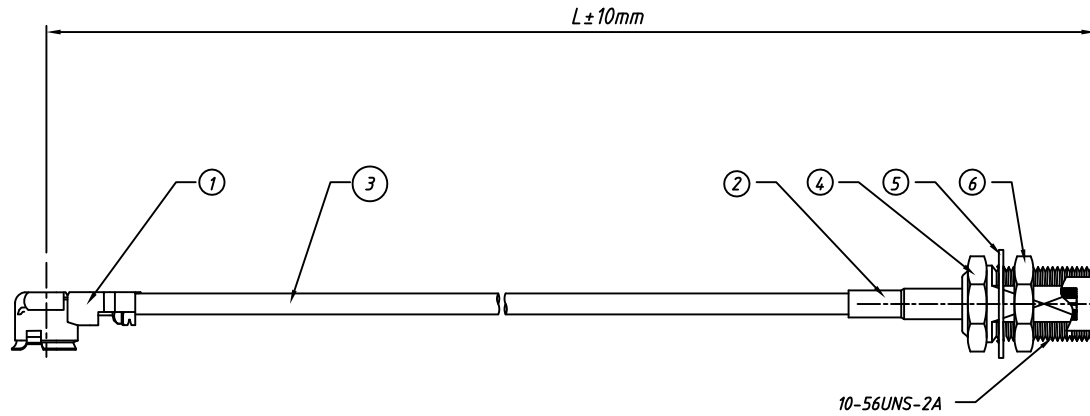


RoHS compliant

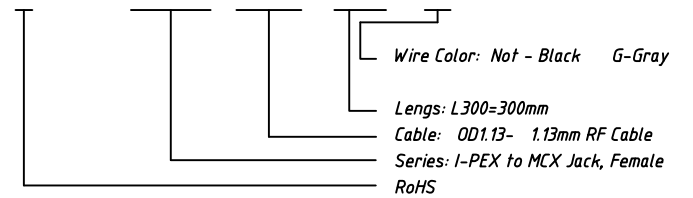


Note:

- 1: V.S.W.R: 1.5(0~3G), Max.
- 2: Wire surface shall have no dirt, broken.
- 3: Connector surface with coating, oxidation phenomenon.
- 4: Connector pins and insulator are in the same plane

Order Information

L- KLS1- RFCA18 - OD1.13 - L300 / X



6	Nut	T1.5mm Nut,10-56UNS-2A	PCS	1
5	Washers	T0.5mm Washers	PCS	1
4	Connector	MCX Jack,Female Straight,for 1.13cable	PCS	1
3	RF Cable	1.13mm Cable	mm	L
2	Heat-Shrink Tube	φ1.0mm Heat-Shrink Tube,Block,L15mm	PCS	1
1	Connetor	I-PEX Plug,for 1.131 Cable	PCS	1
No.	Name	Description	UNITS	Q'ty

		Description:	
		I-PEX to MCX Jack Female Cable	
PROJECTION		KLS P/N:	L-KLS1-RFCA18-xxxx
UNITS	mm		
SHEET SIZE	A4		
Draw:	Daniel	2018-06-26	NingBo KLS ELECTRONIC CO.,L TD.
Check:	Daniel	2018-06-26	